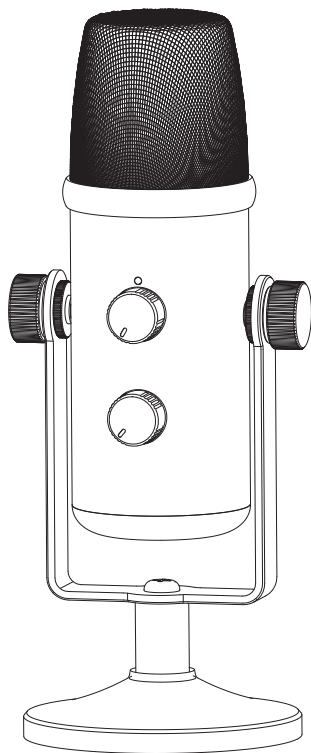


7RYMS



AT20

Cardioid Condenser USB Microphone

User manual

Foreword

Thanks for purchasing AT20

Main Feature

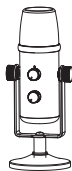
- . 48kHz/24bit Recording, Professional Studio Quality
- . 16mm Cardioid Condenser Microphone, Accurate Pick-up
- . USB-C Digital Output, Widely Compatible with Computers and Phones
- . Support Separate Stepless Gain and Monitor Volume Adjustment
- . Support Real-time Monitoring, One-click Muting
- . Internal Pop Filter, Integrated Capsule Shock Mounting
- . Full Metal Material, Excellent Shielding Performance

Notice

- ⚠ Please aim the front '7RYMS' logo of the microphone at the sound source for better recording
- ⚠ Turn the gain control knob to appropriate position for the best recording, adjust to the maximum gain may cause audio clipping
- ⚠ Do not use or store the equipment near any heat sources or interference sources, such as radiator, oven, refrigerator or air conditioner
- ⚠ This product is a high-precision product, please prevent it from dropping or colliding
- ⚠ Do not use the equipment in rain or in the damp environment to avoid short-circuit danger
- ⚠ Please keep the product in the dry environment

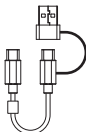
Packing List

Main Part:



Microphone

Accessories:



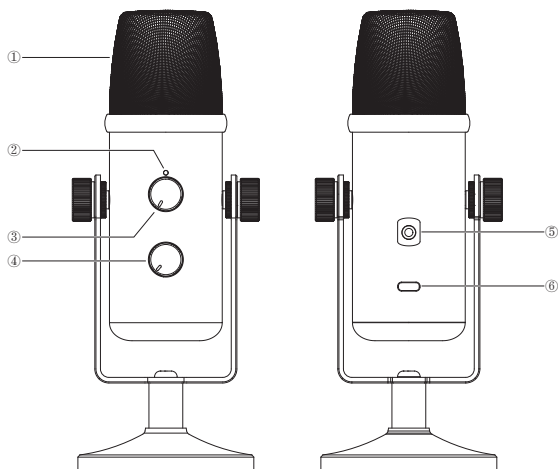
2 in 1 Audio Cable



User Manual



Warranty Card



1. Mic Capsule

2. Working Status/Muting Indicator

The indicator shows blue when working normally; it shows red when muting

3. Gain Adjustment Knob/Muting Button

Turn to adjust gain of the mic; press to turn on/off muting

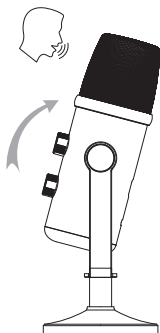
4. Monitor Volume Control Knob

Rotate to adjust monitor volume

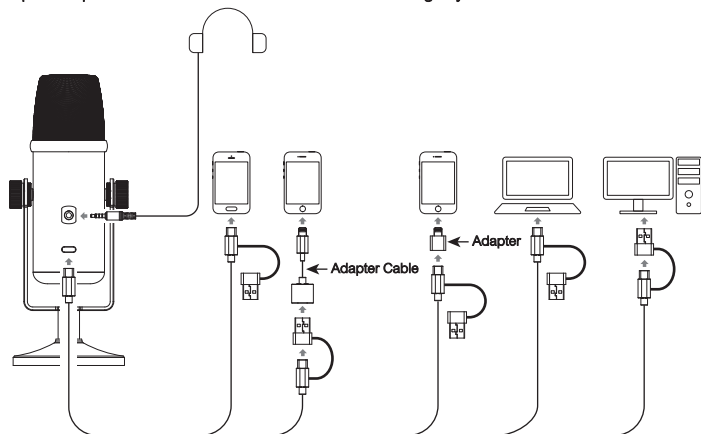
5. 3.5mm TRS/TRRS Monitoring Headphone Port

6. USB-C Output Port

1. Adjust the angle of the microphone according to your needs



2. Connect the microphone with phones/computers through 2 in 1 audio cable and related adapter/adapter cable. Choose whether to monitor according to your needs



Specifications

Acoustic Principle	Condenser
Polar Pattern	Cardioid
Sensitivity	-37dB±2dB
Frequency Response	20Hz ~ 20kHz
Maximum SPL	120dB SPL (@ 1% THD)
S/N	70dB SPL(A-weighted, as per IEC651)
Equivalent Noise	24dB SPL(A-weighted, as per IEC651)
Dynamic Range	96dB SPL(A-weighted, as per IEC651)
Sampling Rate	48kHz
Bit Depth	24-bit
Output Interface	USB-C
Monitor Interface	3.5mm TRS/TRRS
Net Weight	620g (include desk stand)
Dimension	205 x 83 x 78mm
Operating Temperature	0 C ~ +50 C
Storage Temperature	-20 C ~ +60 C



Website: 7ryms.com

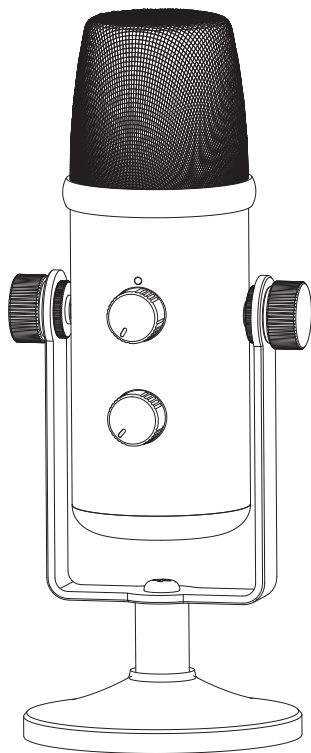
Facebook: 7RYMS

Instagram: [7ryms_official](https://www.instagram.com/7ryms_official)

YouTube: 7RYMS

The 7RYMS LOGO is a trademark which is registered and owned by Errun Electronic Technology Co., Ltd

7RYMS



AT20

心型电容USB麦克风

用户使用说明书

前言

感谢您购买AT20

产品主要功能

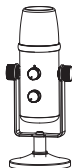
- . 48kHz/24bit录音，专业棚级音质
- . 16mm心型指向电容咪头，精准拾音
- . USB-C数字输出，广泛兼容电脑、手机
- . 支持无级增益及监听音量独立调节
- . 支持实时监听，一键静音
- . 机内防风和减震设计，有效滤除杂音
- . 全金属材质，优异屏蔽性能

注意事项

- ⚠ 请将声源对准正面的'TRYMS' logo以获得更好的录音效果
- ⚠ 请将麦克风增益旋钮调至合适的位置使用，以获得最佳声音效果，调至最大增益有可能出现声音过曝的情况
- ⚠ 请勿将本设备放置在热源或干扰源附近使用，如散热器、烤箱、冰箱、空调等
- ⚠ 本产品属于高精密仪器类产品，请避免使用时掉落、碰撞或重击
- ⚠ 不要在雨中或潮湿的环境中使用该设备，否则会有短路的危险
- ⚠ 请在干燥环境中对该产品进行保存

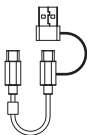
包装清单

主体：



麦克风

配件：



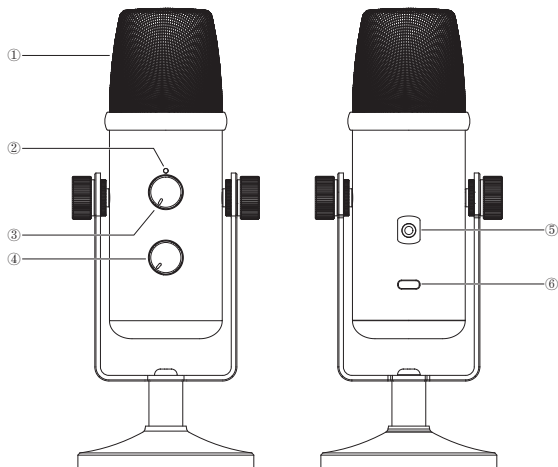
二合一音频连接线



说明书



保修卡



1. 麦克风咪头

2. 麦克风工作/静音指示灯

正常工作时蓝灯长亮，静音时红灯长亮

3. 增益调节旋钮/静音按键

旋转调节麦克风增益，短按开启/关闭静音

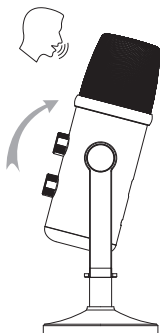
4. 监听音量调节旋钮

旋转调节监听音量

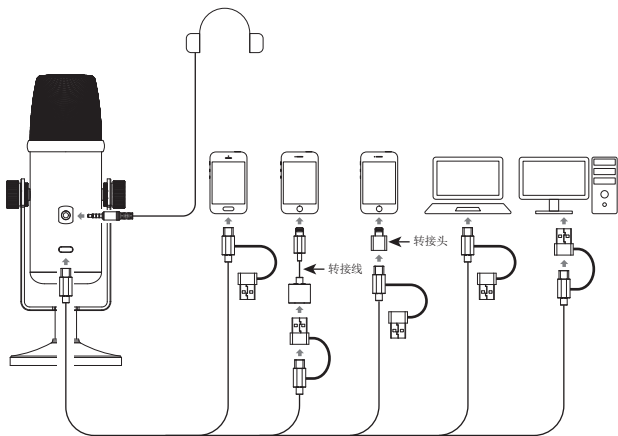
5. 3.5mm TRS/TRRS监听耳机接口

6. USB-C音频输出接口

1. 根据个人需求调节麦克风的角度



2. 通过二合一音频连接线和相关音频转接线/转接头连接麦克风和手机/电脑；根据个人需求选择是否监听



搭配Lightning接口设备时，请自行购买支持OTG功能的USB-Lightning转接线/转接头

声学原理	电容式
指向性	心型指向
咪头灵敏度	-37dB±2dB
麦克风频率范围	20Hz ~ 20kHz
最大声压级	120dB SPL (@ 1% THD)
信噪比	70dB SPL(A-weighted,as per IEC651)
等效噪声	24dB SPL(A-weighted,as per IEC651)
动态范围	96dB SPL(A-weighted,as per IEC651)
采样率	48kHz
位深	24-bit
输出接口	USB-C
监听接口	3.5mm TRS/TRRS
产品重量	620g (包含底座)
产品尺寸	205 x 83 x 78mm
工作温度	0 C ~+50 C
储存温度	-20 C ~+60 C



扫二维码关注
七语官方公众号



7RYMS七语麦克风



7RYMS七语



七语影音旗舰店



7RYMS七语

邮箱: support@7ryms.com

电话: 400-8303-981

网址: www.7ryms.com

版权及七语商标归尔润电子科技有限公司所有