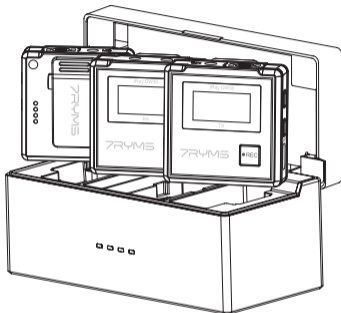


7RYMS



iRay DW30

2.4G Dual-channel On-board Recording Wireless Microphone

User Manual

Foreword

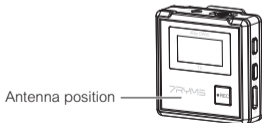
Thanks for purchasing 7RYMS iRay DW30

Main Features

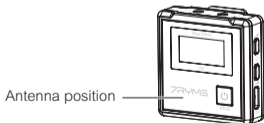
- 48kHz/16bit Audio Recording, One-key Intelligent Denoise
- Support On-board Recording with 16G Internal Memory(About 48 Hours)
- Support Recording File's High-speed Transmission and Copy
- Digital&Analog Output Mode, Universal for Camera, Phone and Computer
- Mono/Stereo/Safety Mode for Ultimate Flexibility in Post-production
- Rechargeable Storage Case for Charging and Storing
- LCD Screen for Intuitive Power and Audio Dynamic Monitor
- Featured with Preamp Amplifier and 6-level Gain Control
- Real-time Audio Monitor and One-key Mute Function
- Internal and External MIC Two Input Modes
- Low Latency < 20ms, Working Range Up to 100m(Open Area)
- Designed with Magnetic Belt Clip, Wearable and Portable

Notice

- △ Due to 2.4G wireless characteristics, it is better to keep face to face when using it, and do not turn your back to the receiver, otherwise it is easy to generate breakpoints, which is a normal phenomenon
- △ Do not block the antenna position to avoid any poor signal generated
- △ Please notice that it can not realize STEREO function when in single-channel and safety mode
- △ When you need to continuously record, a new recording file will be saved every 2 hours of recording, and the total recording time is 48 hours. When the 16G memory is full, the new recording file will overwrite the old recording file
- △ The recording and copy function can't be used at the same time
- △ The product is a high-precision instrument, please prevent it from falling, collision or pounding
- △ Do not use the equipment in the vicinity of heat source or interference source, such as radiator, oven, intercom or next to the other wireless devices
- △ If the pick-up distance is close or when it is used outdoors, please put on the wind muff to prevent sound burst or reduce wind noise
- △ Do not use the equipment in rain or in a damp environment to avoid short-circuit danger
- △ Please keep the product in a dry environment



Transmitter(TX)



Receiver (RX)

Packing List

1. Transmitter (TX) *2
2. Receiver (RX)
3. Charging Case
4. 3.5mm TRS Mic *2
5. Wind Muff *2
6. 3.5mm TRS-TRS Audio Cable
7. 3.5mm TRS-TRRS Audio Cable
8. 3-in-1 Charging/Audio Output Cable
(The orange cable can be used for charging and digital output, the two black cables can only be used for charging)
9. User Manual
10. Warranty Card



①



②



③



④



⑤



⑥



⑦



⑧

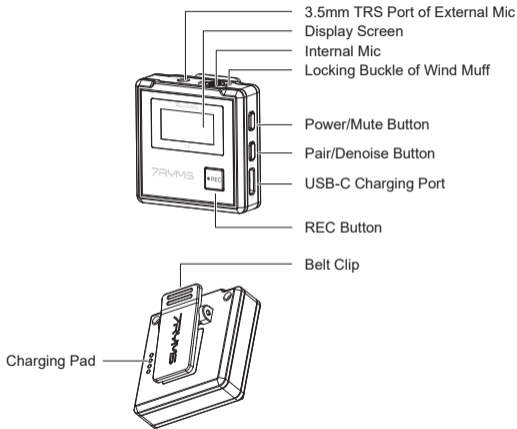


⑨



⑩

Transmitter (TX)



1. 3.5mm TRS Port of External Mic

Insert the 3.5mm TRS Mic, and you can use the external lavalier microphone for recording. At this time, the internal microphone of the device is turned off automatically

2. Power/Mute Button

Long press for On/Off; Short press for muting switch



Long press the power button for 10 seconds to reset it when the transmitter is in crashes or unable to turn on

3. REC Button

Long press to start or stop the recording when the screen is on

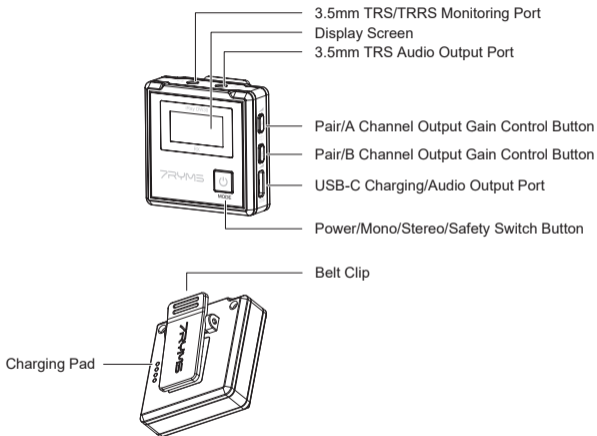
4. Pair/Denoise Button

Long press to enter pairing state; Short press to turn on/off denoise

5. USB-C Charging Port

Connect the transmitter with the power supply through the 3-in-1 charging cable to charge

Receiver (RX)



1. 3.5mm TRS/TRRS Monitoring Port

Plug in 3.5mm TRS/TRRS headphones to monitor; When in Stereo mode, A is the left channel and B is the right channel

2. 3.5mm TRS Audio Output Port

Plug in 3.5mm TRS-TRS/TRS-TRRS audio output cable to connect the receiver and the related device

3. Pairing&A/B Channel Output Gain Control Button:

Long press the A/B pairing button synchronously to make the receiver enter the pairing state; Short press to cyclically adjust the A/B channel output gain

4. USB-C Charging/Audio Output Port

Connect the receiver and the corresponding device through the 3-in-1 charging/audio output cable for charging or digital output

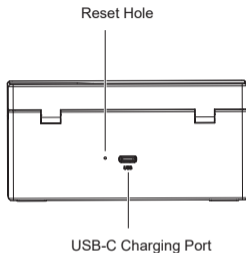
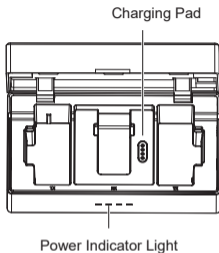
5. Power/Mono/Stereo/Safety Mode Switch Button

Long press for On/Off; Short press to switch between Mono, Stereo, and Safety mode; It can not realize STEREO function when in single-channel and safety mode



Long press the power button for 10 seconds to reset it when the receiver is in crashes or unable to turn on

Charging Case



1. Power Indicator Light

There are four power indicator lights, each of which represents 25% of the power

2. USB-C Charging Port

Connect the charging case with the power supply via a USB-C charging cable

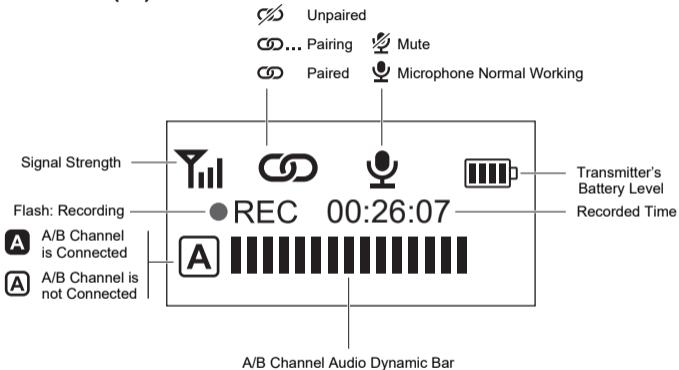
3. Reset Hole

If the device cannot be charged, insert the reset pin into the reset hole to reset it

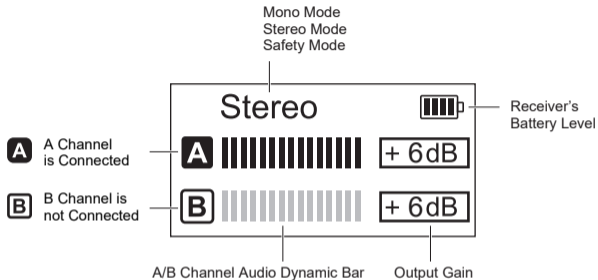


With the charging case opened, the receiver displays the battery level of the receiver and transmitters

Transmitter (TX)



Receiver (RX)



Mono Mode: Output a mixed audio track of A channel and B channel.

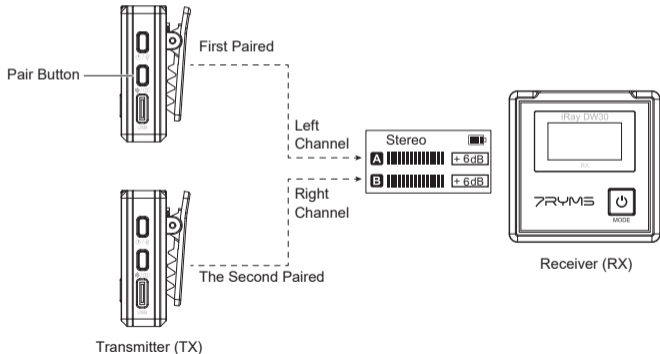
Stereo Mode: Output two independent audio tracks of A channel and B channel.

Safety Mode: Output two mono audio tracks: One is normal audio, and the other is safe audio reduced by -6dB on the basis of normal audio.

Pairing Method

(All have been paired by default. If you need to re-pair, please follow the instruction)

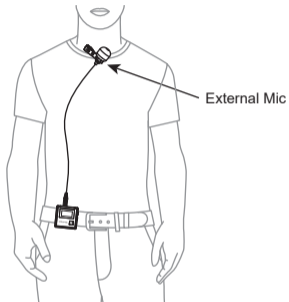
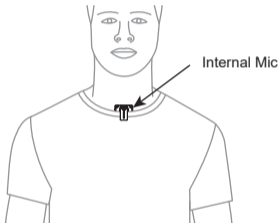
Firstly, turn on the receiver and transmitter; secondly, long press the A/B pairing button of the receiver synchronously to make it enter the pairing state; and press the pair buttons of the transmitters for 3 seconds to make them enter the pairing state. The first paired transmitter is channel A (left channel), and the second one is channel B (right channel)



Installation Method

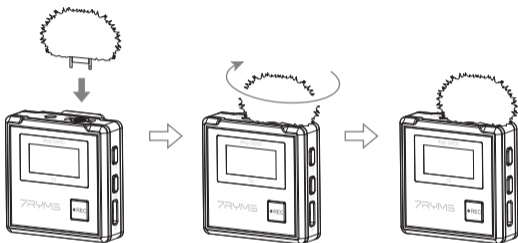
Transmitter(TX)

1. Choose internal/external mic according to personal needs



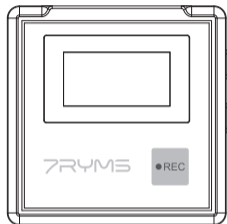
1. For better concealment during use, it is recommended that the belt clip fixed on the outside for use
2. The internal microphone will be automatically turned off when the external microphone is working

2. When using the internal mic, install the wind muff according to personal needs; Insert the wind muff into the locking buckle, and then tighten it clockwise



3. Use the REC function according to your need

Long press to start or stop the recording when the screen is on



1. When you need to continuously record, a new recording file will be saved every 2 hours of recording, and the total recording time is 48 hours. When the 16G memory is full, the new recording file will overwrite the old recording file
2. Please turn off the recording function before putting the TX into the charging box. Otherwise, the recording files will get loss easily

4. Copy recording file according to your need

iRay DW30 disk appears after iRay DW30 is connected with the computer, and then you can copy the recording file

▾ Devices with Removable Storage(1)



iRay DW30

8 GB free of 8 GB

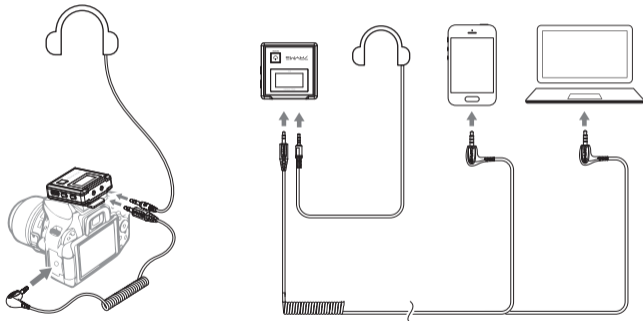


Please keep the TX turned on when copying recording files; After connecting the USB-C interface of the TX, click the record button to enter the USB drive

Receiver(RX)

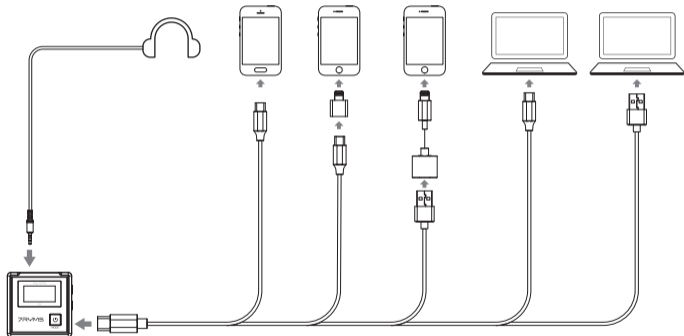
Analog Output

Connect the camera and receiver via the 3.5mm TRS-TRS audio cable; connect the phone/computer and receiver via the 3.5mm TRS-TRRS audio cable; choose whether to monitor according to your needs.



Digital Output

Connect the mic and the phone/computer via the 3-in-1 audio cable and related OTG audio cables/adapters. Choose whether to monitor according to your needs.



Transmitter (TX)

Wireless Type	2.4GHz
Antenna	Ceramic Antenna
Transmitting Power	+10dBm
Sensitivity	-32dB±2dB
Polar Pattern	Omnidirectional
Frequency Response	80Hz ~ 20kHz
S/N	70dB SPL(A-weighted,as per IEC651)
Equivalent Noise	24dB SPL(A-weighted,as per IEC651)
SPL	110dB SPL(@ 1% THD)
Dynamic Range	86dB SPL(A-weighted,as per IEC651)
Latency	<20ms
Input Port	3.5mm TRS
Battery	Li-polymer 330mAh 3.7V
Battery Life	Recording Off: 15H, Recording On: 5H
Net Weight	29g
Dimension	45 x 45 x 22mm
Working Temperature	0°C ~ 50°C
Storage Temperature	-20°C ~ +60°C

Receiver (RX)

Wireless Type	2.4GHz
Antenna	Ceramic Antenna
Transmitting Power	+10dBm
S/N	70dB SPL(A-weighted,as per IEC651)
Equivalent Noise	24dB SPL(A-weighted,as per IEC651)
Dynamic Range	86dB SPL(A-weighted,as per IEC651)
Latency	<20ms
Output Gain Range	-6dB ~ +6dB
Analog Output	3.5mm TRS
Digital Output	USB-C / 48kHz 16bits
Monitoring Port	3.5mm TRS/TRRS
Battery	Li-polymer 230mAh 3.7V
Battery Life	9H
Net Weight	28g
Dimension	45 x 45 x 22mm
Working Temperature	0°C ~ 50°C
Storage Temperature	-20°C ~ +60°C

Charging Case

Charging Time	2 Times
Charging Port	USB-C
Battery	Li-polymer 3000mAh 3.7V
Net Weight	235g
Dimension	124 x 60 x 60mm
Working Temperature	0°C ~ 50°C
Storage Temperature	-20°C ~ +60°C



Website: 7ryms.com

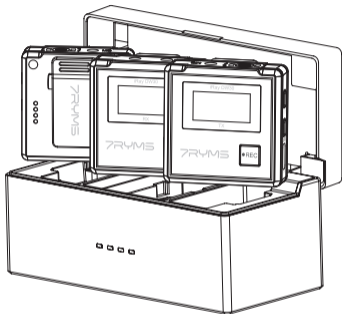
Facebook: 7RYMS

Instagram: [7ryms_official](#)

YouTube: 7RYMS

The 7RYMS LOGO is a trademark which is registered and owned by Errun Electronic Technology Co., Ltd

7RYMS 七语



iRay DW30

2.4G双通道板载录音无线麦克风

使用说明书

前言

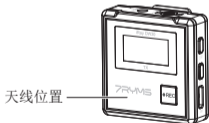
感谢您购买七语iRay DW30

产品主要功能

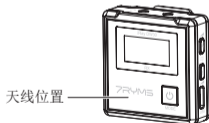
- 48kHz/16bit录音，一键智能降噪
- 支持16G内存板载录音及高速传输拷贝（约48小时）
- 数字&模拟双输出模式，通用于相机、手机、电脑
- 单声道/立体声/安全音轨模式，多音频模式输出选择
- 多功能磁吸充电盒，充电收纳一体化设计
- LCD显示屏，可视化电量及音频动态监控
- 支持前置放大，6级增益可调
- 支持实时监听，一键静音等功能
- 内置和外置MIC两种输入方式
- 低音频延迟<20ms，100m传输距离（空旷环境）
- 多功能磁吸背夹设计，便携易安装

注意事项

- △ 由于2.4G无线特性，使用时尽量保持面对面，避免背对的情况，否则容易产生断点，属正常现象
- △ 使用时避免任何物体遮挡天线位置，以免信号不良
- △ 单通道及安全音轨模式下，立体声(STEREO)功能无法实现
- △ 当持续录音时，每录满2小时会新存为一个录音文件，总录音时长为48小时，当16G内存录满时，新录音文件会覆盖旧录音文件
- △ 录音功能和拷贝功能不可同时使用
- △ 本产品属于高精密仪器类产品，请避免使用时掉落、碰撞或重击
- △ 请勿将本设备放置在热源或干扰源附近使用，如散热器、烤箱或其它无线设备旁边
- △ 如拾音距离较近或于户外使用时，请套上麦克风防风毛，防止声音爆裂或降低风噪
- △ 不要在雨中或潮湿的环境中使用该设备，否则会有短路的危险
- △ 请在干燥环境中对该产品进行保存



(发射器)



(接收器)

包装清单

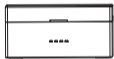
1. 发射器 (TX) *2
2. 接收器 (RX)
3. 充电盒
4. 3.5mm TRS麦克风 *2
5. 防风毛 *2
6. 3.5mm TRS-TRS 音频连接线
7. 3.5mm TRS-TRRS 音频连接线
8. 三合一充电/音频输出线
(其中橙色线具备充电和数字输出功能,
另外两条黑色线只具备充电功能)
9. 说明书
10. 保修卡



①



②



③



④



⑤



⑥



⑦



⑧

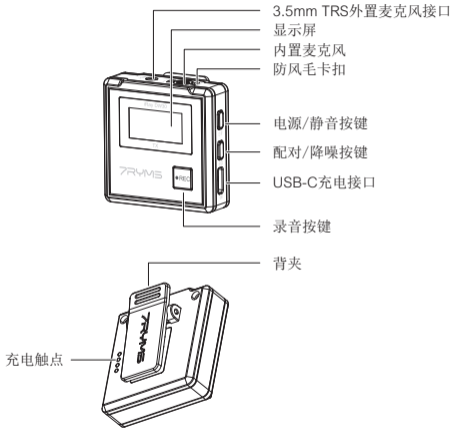


⑨



⑩

发射器 (TX)



1. 3.5mm TRS外置麦克风接口

插入3.5mm TRS麦克风，即可使用外置领夹麦克风录音，此时本机的内置麦克风自动关闭

2. 电源/静音按键

长按开机/关机，短按切换静音



如出现死机/无法开机等异常现象，长按电源键10秒即可重置复位

3. 录音按键

在屏幕亮显的情况下长按进行录音或者停止录音

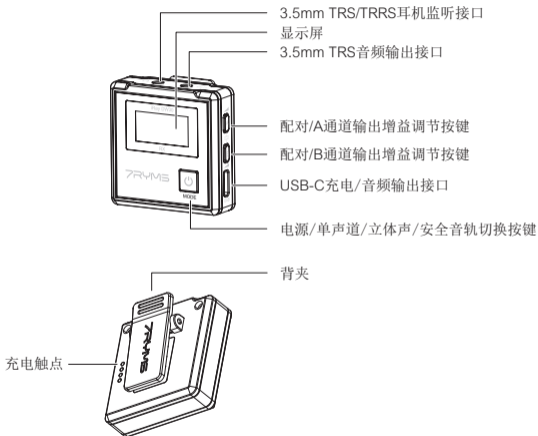
4. 配对/降噪按键

长按进入配对状态；单击开启/关闭降噪

5. USB-C充电接口

通过三合一充电线连接发射器与电源进行充电

接收器 (RX)



1. 3.5mm TRS/TRRS耳机监听接口

插入3.5mm TRS/TRRS耳机即可监听：立体声模式下，A为左声道，B为右声道

2. 3.5mm TRS音频输出接口

通过3.5mm TRS-TRS/TRS-TRRS音频输出线连接相应设备

3. 配对&A/B通道输出增益调节按键：

同时长按A/B配对按键进入配对状态；短按可循环调节A/B通道输出增益

4. USB-C充电/音频输出接口

通过三合一充电/音频输出线连接接收器和相应的设备进行充电/数字输出

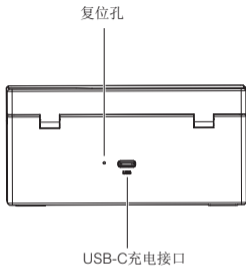
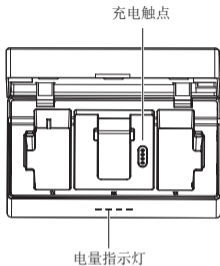
5. 电源/单声道/立体声/安全音轨切换按键

长按开机/关机；短按进行单声道、立体声与安全音轨模式切换；单通道及安全音轨模式下，立体声 (STEREO)功能无法实现



如出现死机/无法开机等异常现象，长按电源键10秒即可重置复位

充电盒



1. 电量指示灯

共有四格电量，每格代表25%电量

2. USB-C充电接口

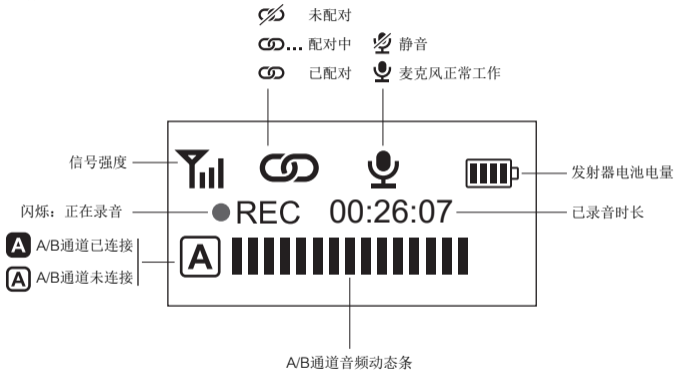
通过USB-C充电线连接充电盒与电源进行充电

3. 复位孔

如出现无法充电等异常现象，使用复位针插入复位孔即可重置

 充电盒打开时，接收器亮屏显示发射器和接收器的电量

发射器 (TX)



接收器 (RX)



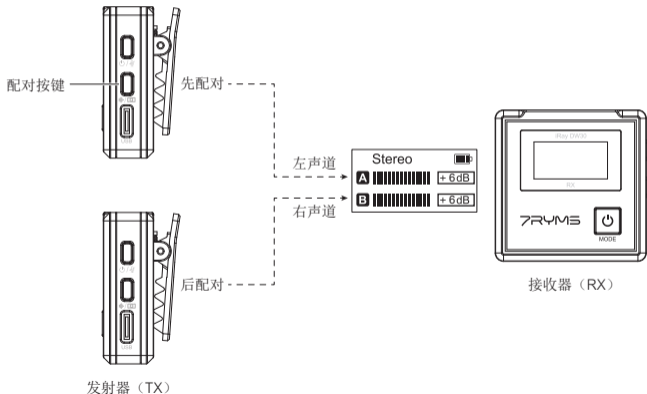
Mono: 单声道，输出AB两路通道合并的音轨

Stereo: 立体声，输出A和B两路独立音轨

Safety: 安全音轨，输出AB两路单声道音频，一路为正常音频，一路为正常音频降低-6dB后的安全音频

配对方法（出厂已默认配对，如遇特殊情况需重新配对可参考以下配对方法）

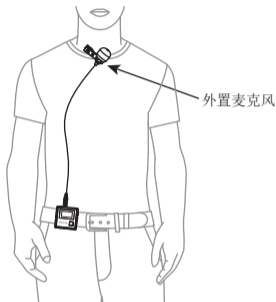
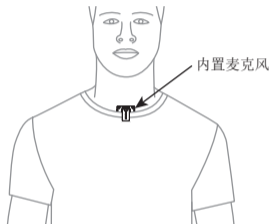
将接收器和发射器开机后，同时长按接收器A/B配对按键进入配对状态，再长按发射器的配对键3秒进入配对状态。先配对成功的发射器为A通道（左声道），后配对成功的发射器为B通道（右声道）



安装方法

发射器 (TX)

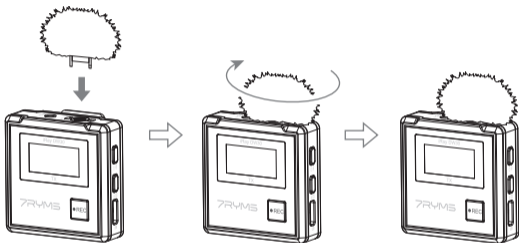
1. 根据个人需求选择使用内置/外置麦克风



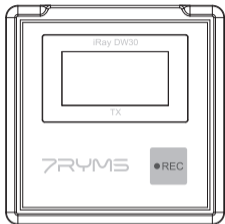
1. 当使用内置麦克风时，为了更好的隐蔽性，建议将背夹朝外固定使用

2. 当使用外置麦克风时，内置麦克风会自动关闭

2. 当使用内置麦克风时，根据个人需求安装防风毛：将防风毛插入防风毛卡扣，再顺时针拧紧固定



3. 根据个人需求选择是否开启录音功能
在屏幕亮显的情况下长按REC进行录音或停止录音



- 1. 持续录音时，每录满2小时会新存为一个录音文件，总录音时长为48小时，当16G内存录满时，新录音文件会覆盖旧录音文件
- 2. 请先将内录功能关闭后再将发射器放入充电盒，否则容易导致录音文件丢失

4. 根据个人需求选择是否拷贝录音文件
通过TX的USB-C接口连接电脑后出现一个盘符iRay DW30，录制的音频文件可从盘符中拷出

有可移动存储的设备 (1)

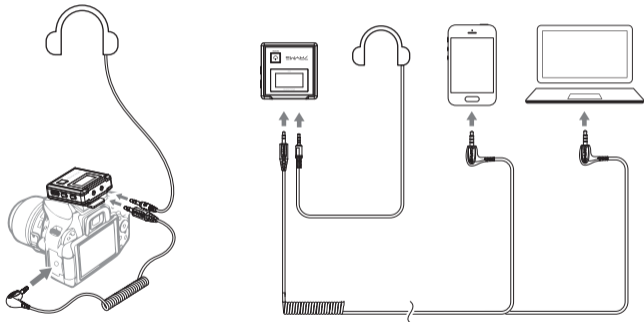


- 拷贝录音文件时，TX需保持开机状态，否则将无法拷贝；连接TX的USB-C接口后，单击录音按键进入U盘

接收器 (RX)

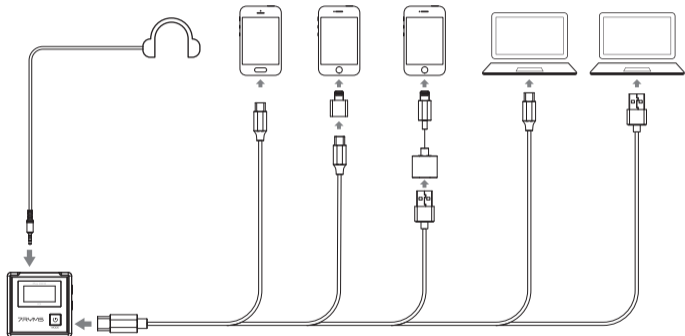
模拟输出

搭配相机使用时，通过3.5mm TRS-TRS音频连接线连接即可；搭配手机或电脑使用时，通过3.5mm TRS-TRRS音频连接线连接即可，可根据个人需求选择是否进行监听。



数字输出

通过USB C-USB C/USB C-USB A音频连接线和相关OTG音频转接线/转接头连接接收器和手机/电脑，可根据个人需求选择是否进行监听。



发射器 (TX)

无线类型	2.4GHz
天线	陶瓷天线
发射功率	+10dBm
麦克风灵敏度	-32dB±2dB
麦克风指向性	全指向
麦克风频率响应	80Hz ~ 20kHz
系统信噪比	70dB SPL(A-weighted,as per IEC651)
系统等效噪声	24dB SPL(A-weighted,as per IEC651)
最大声压级	110dB SPL(@ 1% THD)
动态范围	86dB SPL(A-weighted,as per IEC651)
声音延迟	<20ms
外置输入接口	3.5mm TRS
电池	锂聚合物 330mAh 3.7V
续航时间	关内录: 15小时, 开内录: 5小时
净重	29g
尺寸	45 x 45 x 22mm
工作温度	0°C ~ 50°C
存储温度	-20°C ~ +60°C

接收器 (RX)

无线类型	2.4GHz
天线	陶瓷天线
发射功率	+10dBm
系统信噪比	70dB SPL(A-weighted,as per IEC651)
系统等效噪声	24dB SPL(A-weighted,as per IEC651)
动态范围	86dB SPL(A-weighted,as per IEC651)
声音延迟	<20ms
输出调节范围	-6dB ~ +6dB
模拟输出	3.5mm TRS
数字输出	USB-C / 48kHz 16bits
监听接口	3.5mm TRS/TRRS
电池	锂聚合物 230mAh 3.7V
续航时间	9小时
净重	28g
尺寸	45 x 45 x 22mm
工作温度	0°C ~ 50°C
存储温度	-20°C ~ +60°C

充电盒

充电次数	2次
充电接口	USB-C
电池	锂聚合物 3000mAh 3.7V
净重	235g
尺寸	124 x 60 x 60mm
工作温度	0℃ ~ 50℃
存储温度	-20℃ ~ +60℃



扫二维码关注
七语官方公众号



7RYMS七语麦克风



7RYMS七语



七语影音旗舰店



7RYMS七语

邮箱: support@7ryms.com

电话: 400-8303-981

网址: www.7ryms.com

版权及七语商标归尔润电子科技有限公司所有