

Cardioid Condenser USB Microphone

STA-U1

User Manual

Foreword

Thanks for purchasing COMICA STA-U1

Main Features

- . 25mm Cardioid Condenser Mic for Professional Studio Quality
- . 48kHz/24bit Audio Recording, Intelligent Denoise
- . USB-C Digital Output Port, Plug and Play
- . Internal Pop Filter, Block Plosive Sounds
- . One-key Mute, Real-time Monitoring and Stepless Gain Control
- . Radiant RGB Light Design, Real-time Monitoring of Audio Dynamics
- . 360° Rotatable Swing Mount, Detachable Desk Stand
- . Full Metal Material, Excellent Shielding Performance

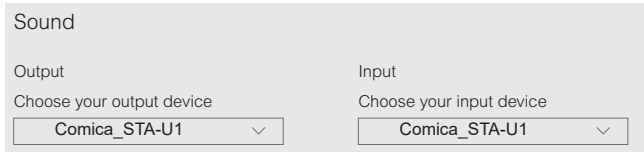
Notice

- ⚠ Please purchase the corresponding USB-Lightning adapter cable/adapter by yourself When using with Lightning devices
- ⚠ Please aim the front 'C' logo of the microphone at the sound source to get an excellent recording
- ⚠ Do not use the equipment in the vicinity of heat source or interference source, such as radiator, oven, refrigerator or air conditioner
- ⚠ The product belongs to high-precision instruments, please avoid falling, collision or pounding
- ⚠ Do not use the equipment in rain or in the damp environment to avoid short-circuit danger
- ⚠ Please keep the product in the dry environment

Tips

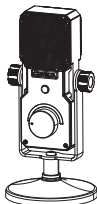
When used in computer, please follow the steps below:

- ① Connect STA-U1 to the computer
- ② Click sound setting and set the "Comica_STA-U1" as the input and output device



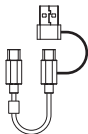
Packing List

Main Part:



Microphone

Accessories:



2 in 1 Audio Cable



User Manual



Warranty Card

1. Microphone

2. Mute Button

Short press to switch mute; Blue light is on in normal state; Red light is on in mute state

3. Gain and Volume/Audio Dynamic Indicator

After rotating the gain and volume control knob, the blue light indicates the current gain and volume, and the RGB light shows the audio dynamics in real time after three seconds

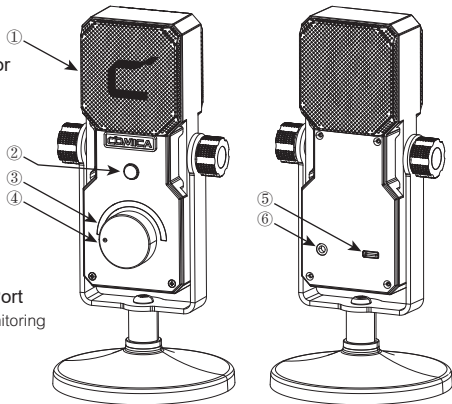
4. Gain and Volume Control Knob

Adjust the microphone output gain and headphone monitoring volume

5. USB-C Audio Output Port

6. 3.5mm TRS/TRRS Headphone Monitor Port

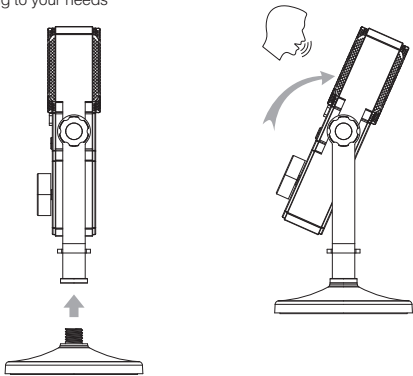
Support playback monitoring and real-time monitoring



Installation

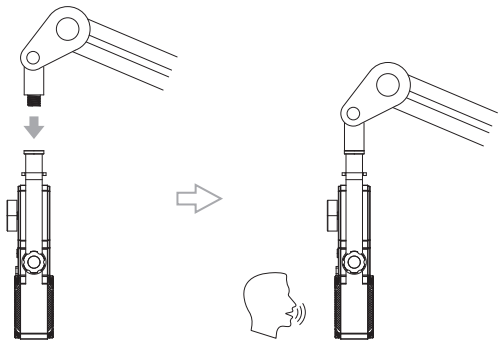
1. Work with the Round Base

Connect the microphone and the round base through the 3/8 threaded hole of the microphone; Adjust the angle of the microphone according to your needs



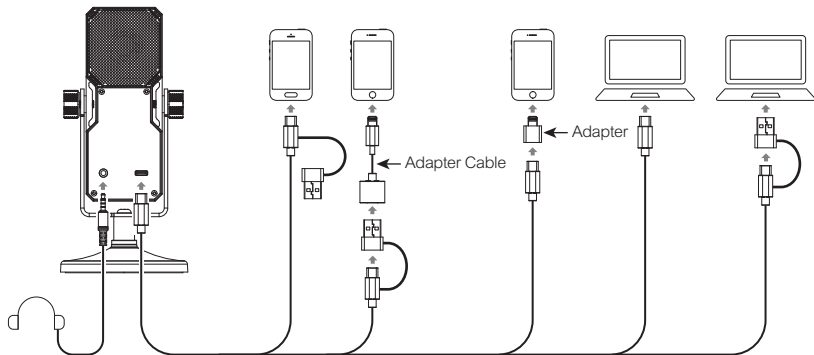
2. Work with the Suspension Boom Stand

Connect the microphone and the suspension boom stand through the 3/8 threaded hole of the microphone; Adjust the angle of the microphone according to your needs



Usage

Connect the microphone with smartphone/computer through 2 in 1 Audio Cable and related audio adapter cable/adapter; Choose whether to monitor according to your needs



Please purchase the corresponding USB-Lightning adapter cable/adapter by yourself When using with Lightning devices

Specifications

Acoustic Principle	Condenser
Polar Pattern	Cardioid Pattern
Sensitivity	-37dB±2dB
Frequency Response	20Hz ~ 20kHz
Maximum SPL	120dB
S/N	70dB
Equivalent Noise	24dBA
Dynamic Range	96dB
Sampling Rate	48kHz
Bit Depth	24-bit
Output Port	USB-C
Monitoring Port	3.5mm TRS/TRRS
Net Weight	580g
Dimension	191 x 82 x 39mm
Working Temperature	0 C ~ +50 C
Storage Temperature	-20 C ~ +60 C



Website: comica-audio.com

Facebook: Comica Audio Tech Global

Instagram: Comica Audio

YouTube: Comica Audio

The COMICA LOGO is a trademark which is registered and owned by Commlite Technology Co.,Ltd
Email: support@comica-audio.com

